

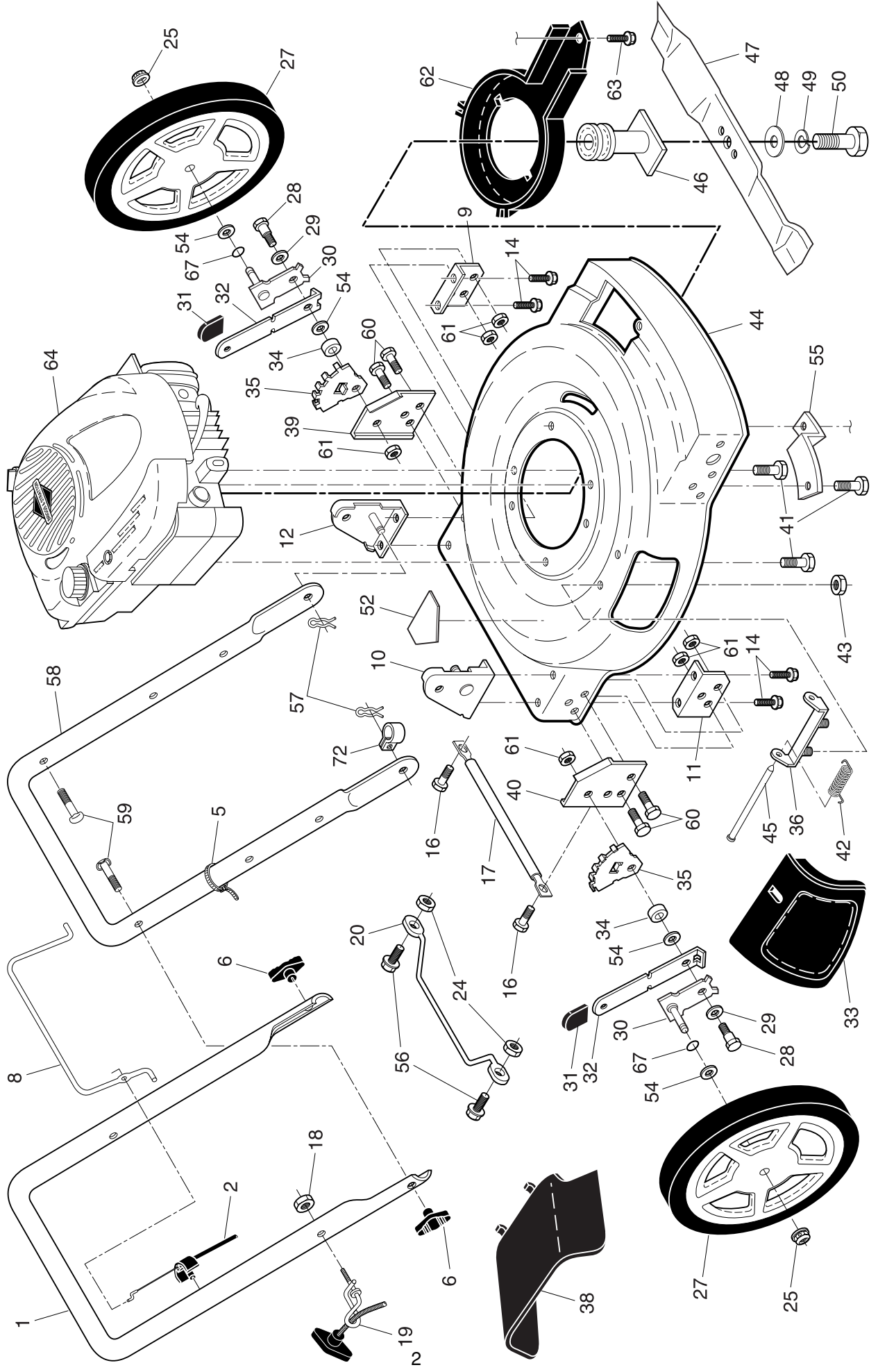
ILLUSTRATED PARTS LIST

**MODEL NUMBER PP6556SMD**

**PRODUCT NUMBER 961 21 00-12**

**MFG. ID. NUMBER 96121001201**

ROTARY LAWN MOWER - - MODEL NUMBER PP6556SMD (96121001201) PRODUCT NUMBER 961 21 00-12



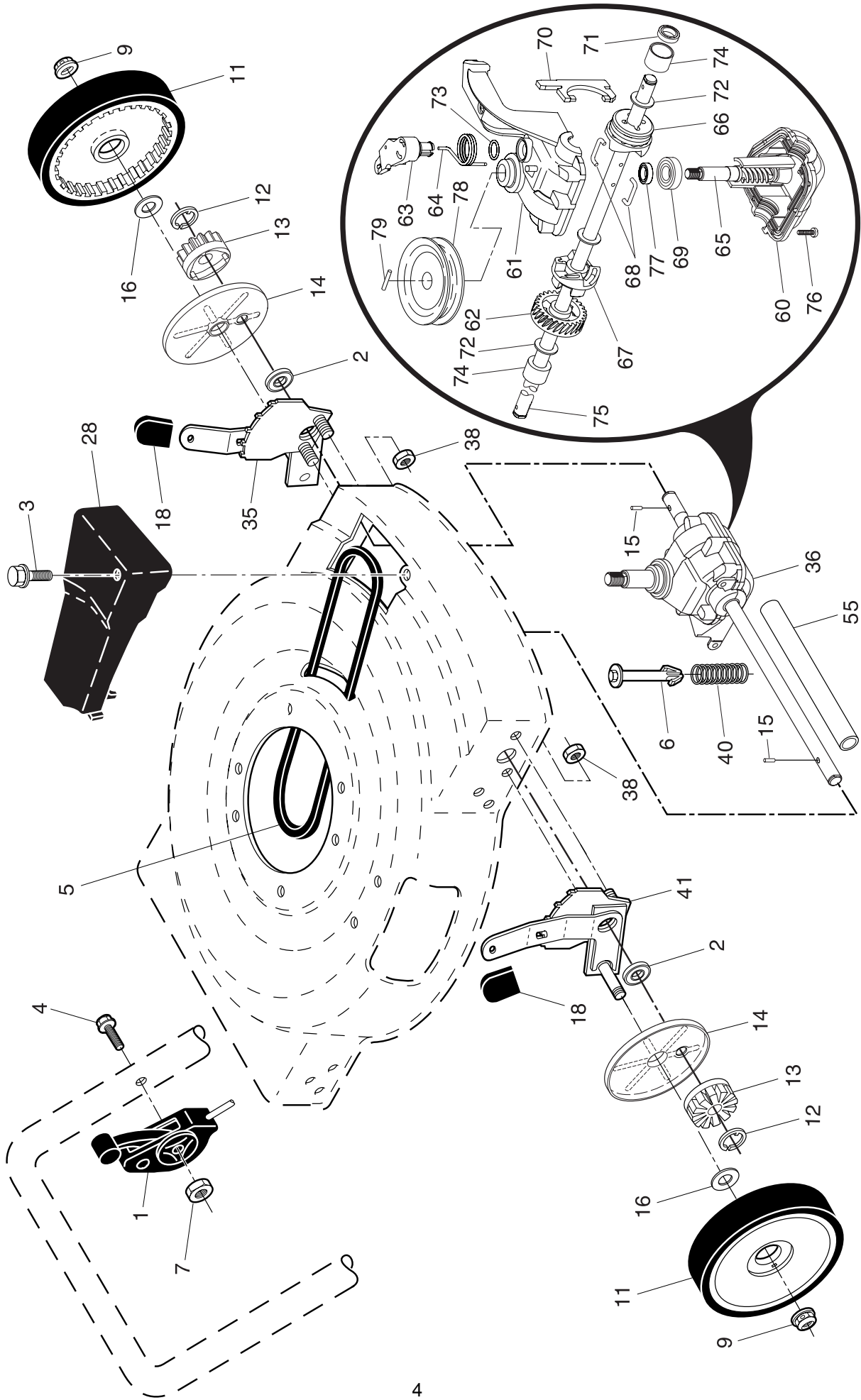
# ROTARY LAWN MOWER - - MODEL NUMBER **PP6556SMD** (96121001201) PRODUCT NUMBER 961 21 00-12

KEY NO.	PART NO.	DESCRIPTION	KEY NO.	PART NO.	DESCRIPTION
1	532 17 76-98	Upper Handle	41	532 15 04-06	Screw, Hex Head, Threaded, Rolled 3/8-16 x 1-1/8
2	<b>532 18 35-67</b>	Engine Zone Control Cable	42	532 15 21-24	Spring, Torsion
5	532 06 64-26	Wire Tie	43	873 80 04-00	Locknut, Hex
6	532 19 19-38	Handle Knob	44	532 40 08-28	Kit, Mower Housing (Includes Key Number 52)
8	532 14 67-71	Control Bar	45	532 14 72-86	Rod, Hinge
9	532 19 58-00	Support Bracket, Handle, LH	46	532 18 91-79	Blade Adapter / Pulley
10	532 17 09-75	Handle Bracket Assembly, RH	47	532 19 93-79	Blade, 22"
11	532 19 57-99	Support Bracket, Handle, RH	48	532 85 10-74	Washer, Hardened
12	532 17 09-77	Handle Bracket Assembly, LH	49	532 85 02-63	Washer, Lock, Helical
14	532 14 97-41	Screw, Thread Cutting 5/16-18 x 3/4	50	532 85 10-84	Screw, Hex Head 3/8-24 x 1-3/8 (Grade 8)
16	532 05 45-83	Screw, Tapping, Hex Head 1/4-20 x 1/2	52	532 18 21-66	Decal, Danger
17	532 17 71-41	Rod, Support	54	532 08 83-48	Washer, Flat 3/8
18	532 13 20-04	Locknut, Keys	55	532 19 09-39	Mounting Bracket, Debris Shield
19	532 19 47-88	Rope Guide	56	532 08 58-25	Screw, Hex Washer Head #10-24 x 1/2
20	532 15 41-47	Foot Guard	57	532 05 17-93	Hairpin Cotter
24	532 06 91-80	Nut, Hex	58	532 15 50-44	Lower Handle
25	532 14 52-12	Locknut, Hex 3/18-16	59	532 19 15-74	Handle Bolt
27	<b>532 40 31-22</b>	Wheel & Tire Assembly, Rear	60	874 76 06-12	Bolt, Hex Head 3/8-16 x 3/4
28	532 14 27-48	Shoulder Bolt	61	532 75 15-92	Locknut, Hex
29	532 06 16-51	Belleville Washer	62	532 18 87-84	Debris Shield
30	532 19 60-21	Axle Arm Assembly	63	532 19 23-25	Screw, Debris Shield
31	532 08 78-77	Knob, Selector	64	---	Engine, Briggs & Stratton, Model Number 124K02 (Order parts from engine manufacturer)
32	532 14 17-30	Spring, Selector	67	532 19 74-80	O-Ring
33	532 15 18-89	Discharge Guard	72	532 19 79-91	Clip, Cable
34	532 14 66-30	Spacer	--	532 18 21-34	Warning Decal (not shown)
35	532 15 50-47	Bracket, Wheel Adjuster	--	532 40 33-61	Operator's Manual, European
36	532 15 41-32	Bracket, Housing	--	532 40 33-62	Operator's Manual, Scandinavian
38	532 17 65-09	Deflector, Discharge	--	532 40 37-19	Operator's Manual, East Bloc
39	532 40 33-82	Support Bracket, LH	--	532 40 37-21	Operator's Manual, Baltic
40	532 40 33-81	Support Bracket, RH			

**NOTE:** All component dimensions given in U.S. inches. 1 inch = 25.4 mm

**IMPORTANT:** Use only Original Equipment Manufacturer (O.E.M.) replacement parts. Failure to do so could be hazardous, damage your lawn mower and void your warranty.

ROTARY LAWN MOWER -- MODEL NUMBER PP6556SMD (96121001201) PRODUCT NUMBER 961 21 00-12



# ROTARY LAWN MOWER - - MODEL NUMBER **PP6556SMD** (96121001201) PRODUCT NUMBER 961 21 00-12

KEY NO.	PART NO.	DESCRIPTION	KEY NO.	PART NO.	DESCRIPTION
1	532 18 45-88	Drive Control Assembly (Includes Cable)	55	532 08 60-12	Drive Shaft Cover
2	532 19 10-39	Bearing, Wheel Adjuster	60	532 18 34-97 *	Case, Lower
3	532 14 36-03	Screw, Tapping, Pan Head #10-24 x 2-3/4	61	532 18 34-98 *	Case, Upper
4	532 15 87-55	Screw, Machine, Pan Head 1/4-20 x 2-3/16	62	532 18 34-99	Gear, 27 Teeth
5	532 14 65-27	V-Belt	63	532 18 35-00	Lever, Clutch
6	532 15 04-95	Bolt, Hex Head 1/4-20 x 2	64	532 18 35-01	Spring, Return
7	532 19 17-30	Nut, Hex	65	532 18 35-02	Shaft, Input
9	532 08 39-23	Locknut, Hex	66	532 18 35-03	Dog, Movable
11	<b>532 19 80-88</b>	Wheel & Tire Assembly	67	532 18 35-04	Dog, Fixed
12	812 00 00-58	E-Ring	68	532 18 35-05	Wire, Formed
13	532 75 00-03	Pinion	69	532 18 35-06	Bearing, Ball
14	532 18 94-03	Dust Cover	70	532 18 35-07	Fork, Shift
15	532 19 10-17	Pawl, Drive	71	532 18 35-08	Seal, Output Shaft
16	532 06 77-25	Washer	72	532 18 35-09	Washer
18	532 08 78-77	Knob, Selector	73	532 18 35-10	Seal, Case
28	532 19 58-11	Drive Cover	74	532 18 35-11	Bushing
35	532 19 51-10	Kit, Wheel Adjuster, LH (Includes Knob and Bearing)	75	532 19 65-61	Shaft, Output
36	<b>532 19 92-06</b>	Gear Case Assembly, Complete	76	532 18 35-13	Screw
38	873 80 04-00	Locknut, Hex	77	532 18 35-14	Seal, Input Shaft
40	532 13 70-90	Spring	78	<b>532 19 98-52</b>	Pulley, Drive
41	532 19 51-07	Kit, Wheel Adjuster, RH (Includes Knob and Bearing)	79	<b>532 19 94-19</b>	Pin, Retaining

\* Use Dow Corning #709 to reseat Gear Case Halves.

**NOTE:** All component dimensions given in U.S. inches. 1 inch = 25.4 mm

**IMPORTANT:** Use only Original Equipment Manufacturer (O.E.M.) replacement parts. Failure to do so could be hazardous, damage your lawn mower and void your warranty.